

# Data Sheet

## High Vision

### Optical Switch

HVSW-2X1

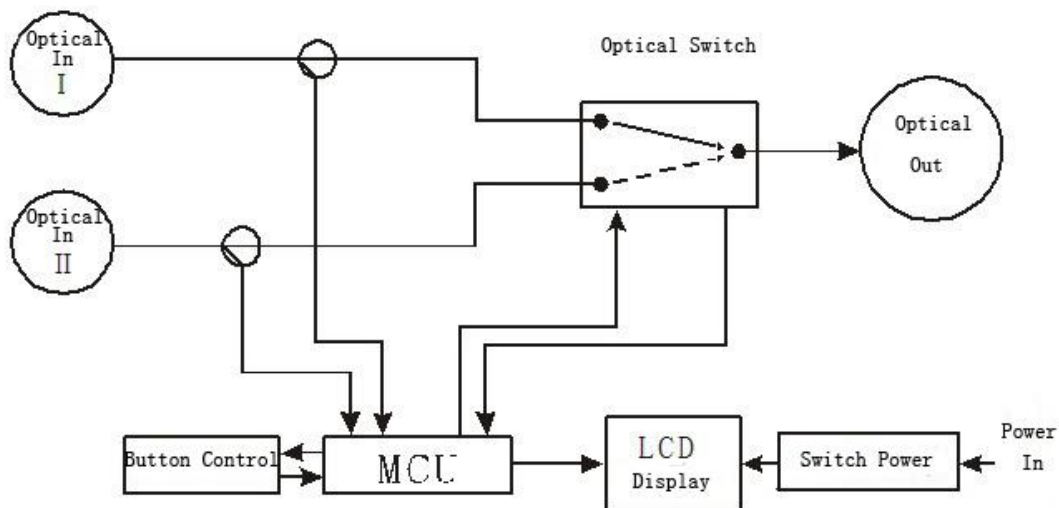


# 1 Overview

HVSW-2X1 optical switch has an extremely low insertion loss. The main component is imported single-mode optical switch, and adopts MCU intelligent control technology and SMNP network management technology to make the performance better than others. It can work on 3 modes, HVSW-2X1 switch options to choose from. 19" standard chassis is adopted, it can be set automatically, manually and by network management. Random optical power and the chosen state are displayed on the front panel LCD or monitored by network management system. It is applicable to switch of optical path and optical devices which need high reliable operation, such as the 1550nm optical transmitter in front of Cable TV, automatic switch of optical fiber amplifier hot backup, optical routing about key protected optical path, ring net with self healing. It can also be used to dynamically configured CADM and OXC, system monitoring and fault protection. Switching power supply is draw-out type with structure of aluminum profile extrusion, it helps greatly to cooling and replacement. Besides it can make dual supply cold-heat backup.

# 2 Product structure diagram

## HVSW-2X1



### 3 the main working parameters

Project	Unit	Technical parameter
Wavelength	nm	1100~1610nm
Transmitting power	mW	<500
Inserting loss	dB	<1
Reflection loss	dB	>55
Polarization dependence	dB	<0.1
Repeatability	dB	<0.02
Switch time	mS	<10
Switch Option		2X1;
Type of optical connector		FC/APC, SC/APC or <b>specified</b> by the user
Fiber type		Single mode