

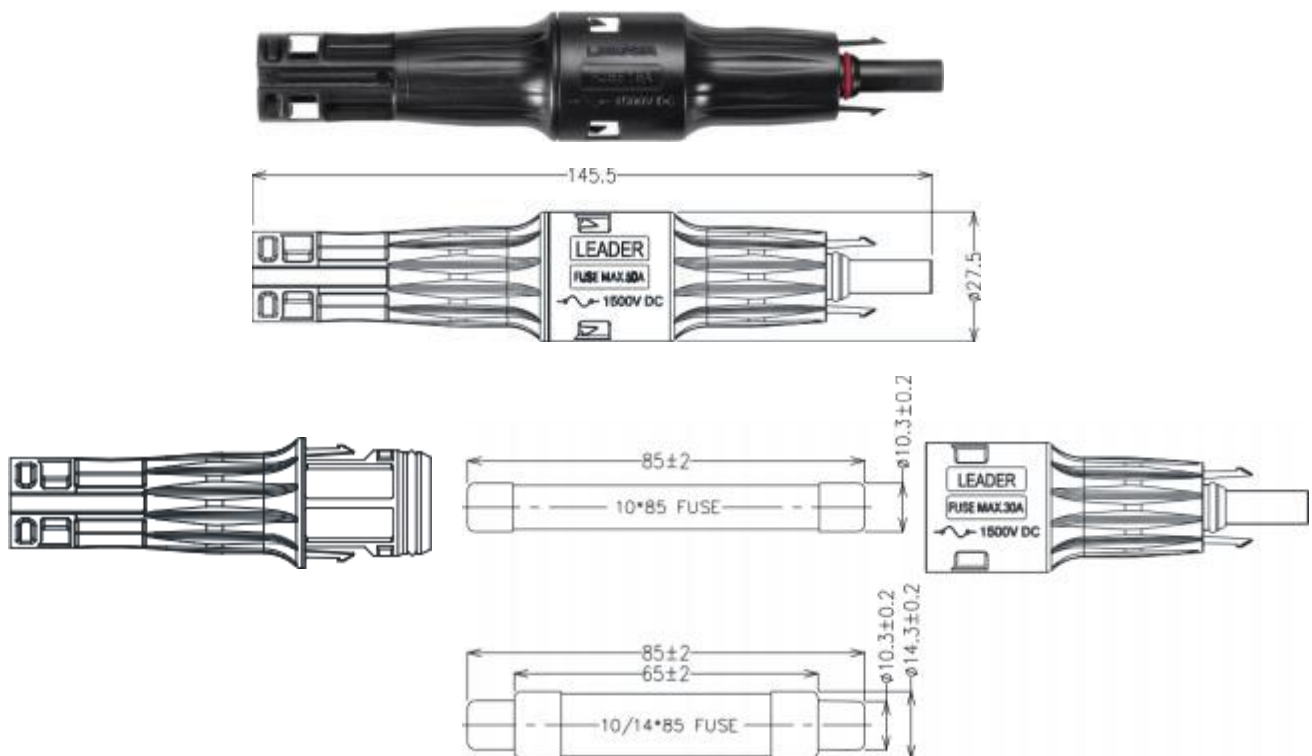
# 1500VDC光伏4.0保险丝连接器

## 1500VDC PV 4.0 Fuse Connector

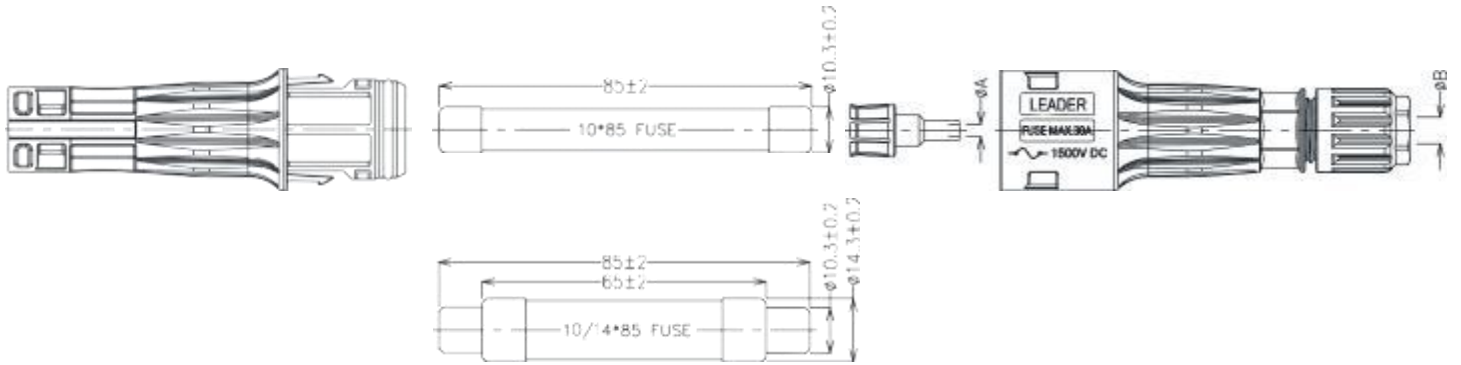
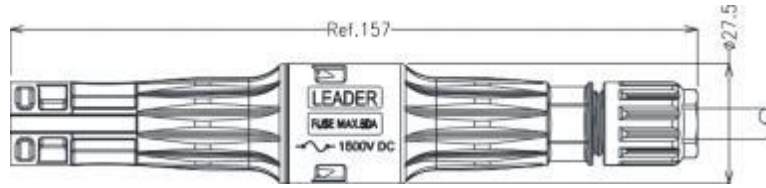
**产品规格:**  
Product Specifications:

绝缘材料 Insulation material	PPE/PA	保险丝规格 Fuse Specification	1A-50A
额定电流(不含保险丝) Rated current (Without fuse)	50A	安全等级 Safety degree	II
额定电压 Rated voltage	1500VDC	阻燃等级 Flame class	UL94-V0
最大的测试电压(含保险丝) Maximum voltage (With fuse)		环境温度范围 Ambient temperature range	-40°C...+85°C(IEC) *
连接器接触电阻 contact resistance	≤0.25 mΩ	温度上限 Upper limiting temperature	110°C(IEC)
金属导体材料 Contact material	铜,镀锡 Copper,Tin plated	适配电线规格 Suitable cable cross sections	2.5~10mm <sup>2</sup> /14~8AWG (4F1-4F3)
保护等级 Degree of protection	IP68(1m,1H)	适配保险丝尺寸(mm) Suitable for fuse size(mm)	10*85 or 10/14*85
Rated Impulse voltage 额定脉冲电压	12KV	符合标准 Regulatory approval	TUV,CE

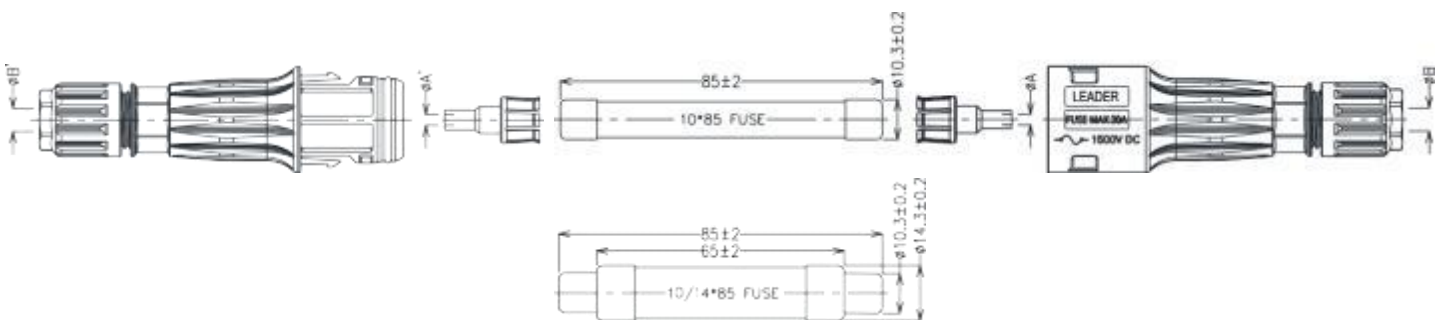
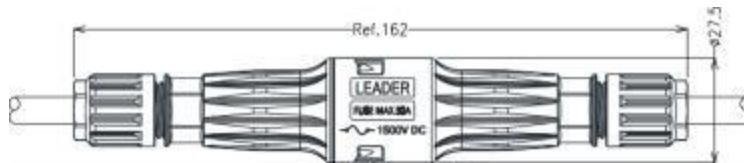
**图示:**  
Drawing: SY-CF0-15



Drawing: SY-CF1-15



Drawing: SY-CF2-15



Drawing: SY-CF3-15



**保险丝额定电流:**

Fuse Rated current:

10*85mm	1A	2A	3A	3.5A	4A	10A	15A	20A
10/14*85mm	25A	30A	32A	40A	50A			

Fuse Part Number: LDPV-32L 1A (1A 50A)

**适配电线规格:**

Suitable cable cross sections:

B	B'	电线外径(mm) Cable O.D. (mm)	电线规格(m <sup>2</sup> ) Cable Size ( m <sup>2</sup> )	端子尺寸(mm <sup>2</sup> ) Terminal size(mm <sup>2</sup> )	A(Ømm)	A'(Ømm)
6.6	6.6	5.0-6.6	2.5, 4.0, 6.0	2.5	2.1	2.1
7.2	7.2	6.7-7.2	6.0, 10.0	4	2.8	2.8
8.2	8.2	7.3-8.2	10	6	3.4	3.4
9.5	9.5	8.3-9.5	10.0~16.0	10	4.5	4.5



\*建议最高使用环境温度为75摄氏度，且在75-85摄氏度下使用不能超过8小时。

\*Recommended that the Max ambient temperature is 75°C, and not exceed 8 hours in 75-85°C .